

Line pressure regulator HP 320

- single stage diaphragm regulator for a high outlet pressure up to 200 bar



Fittings and gauges optional

Description:

The line pressure regulator HP 320 is a single stage pressure regulator, brass nickel and matt chrome plated or stainless steel 1.4404 electro polished.

It is developed as a diaphragm pressure regulator and especially made for high outlet pressure.

The HP 320 reduces the pressure of compressed gases or fluids to a maximum outlet pressure of 200 bar.

Application Area:

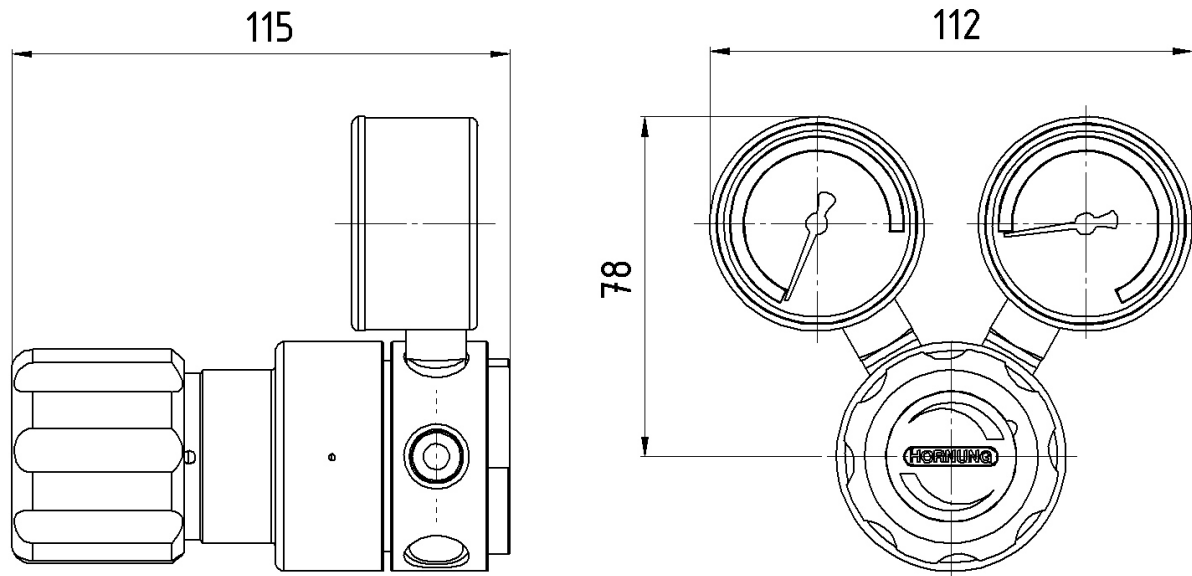
Especially for gases with high requirements on purity up to 6.0 and for laboratories and analytics. In case of our special cleaning method the cylinder pressure regulator is ECD capable.

Technical Details:

Body:	stainless steel 1.4404 electro polished brass, nickel and matt chrome plated
Seat:	PCTFE
Diaphragm:	1.4435
Leakage rate	10 ⁻⁸ mbar l/s HE
Gas purity:	≤ 6.0
Max. inlet pressure:	300 bar
Outlet pressure ranges:	5 - 50 bar 5 - 100 bar 10 - 200 bar
Operating temp.:	-20°C to +70°C
Gauges:	safety version to EN 837-1 KL1,6
Size (WxHxD):	112 x 78 x 118
Weight:	1380g

Hornung Quality standard

The company Hornung is certified to **ISO 9001:2008 and ISO 14001:2009**. All single parts are manufactured, assembled and tested by in-house production. The finished parts are therefore under the criteria of our German quality control system with 100% final inspection.



Specification:

The diaphragm pressure regulator is specially developed for high inlet- and outlet pressures and gas with a purity of 6.0.

Ordering information:

Material:

- 1 = stainless steel
- 2 = brass

Flow direction:

- 1 = left to right
- 2 = right to left

Pressure range:

- 1 = 5 - 50 bar
- 2 = 5 - 100 bar
- 3 = 10 - 200 bar

Gauge:

- 1 = with gauges
- 2 = without gauges

Option for inlet and outlet:

- 1 = 1/4" NPT – international thread
- 2 = compression fitting 6mm
- 3 = compression fitting 8mm

Regulator type	single
HP320	6-port

HP320-	1	1	1	1	1	Gas
Type	Mat.	inlet	outlet	Mano.	Opt.	Gastype

Accessories:

See total catalogue segment

- 7. Accessories
- Gauges, Screw connection